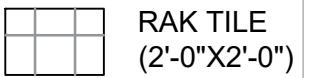


LEGENDS



Floor Area : 1874 Sq.Ft

Proposed design at place  
NAMAKKAL

Client :

Name :SAMPREETHI.S

Registration No. :18PG01012

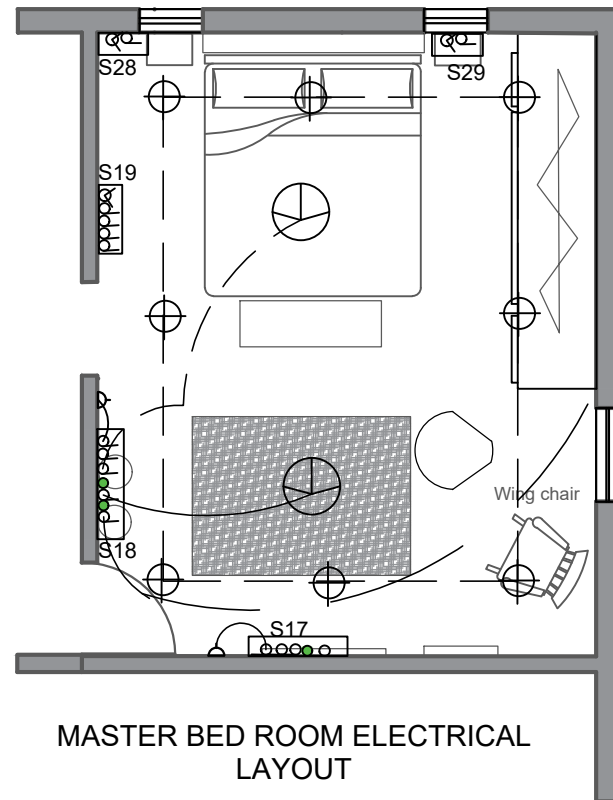
Year :2019

Module Name :RESIDENCE

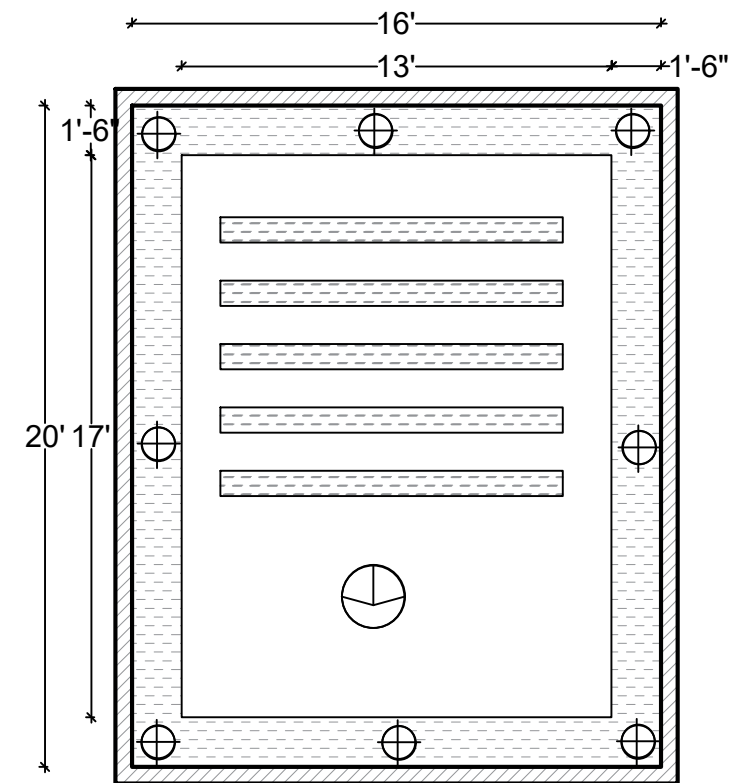
ALL DIMENSIONS IN FEET AND  
INCHES

SCALE

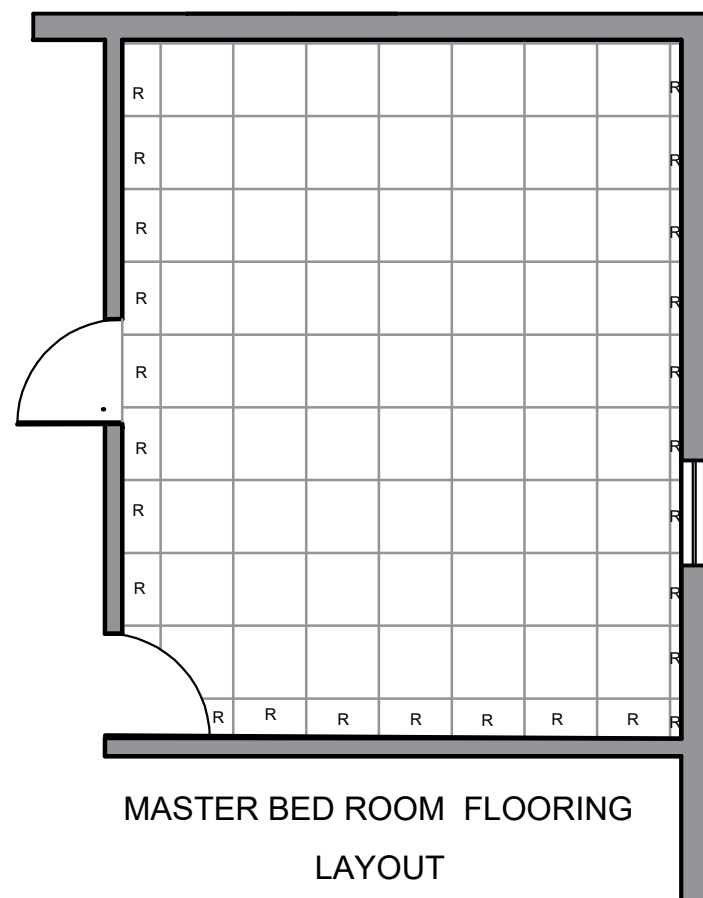
**8**



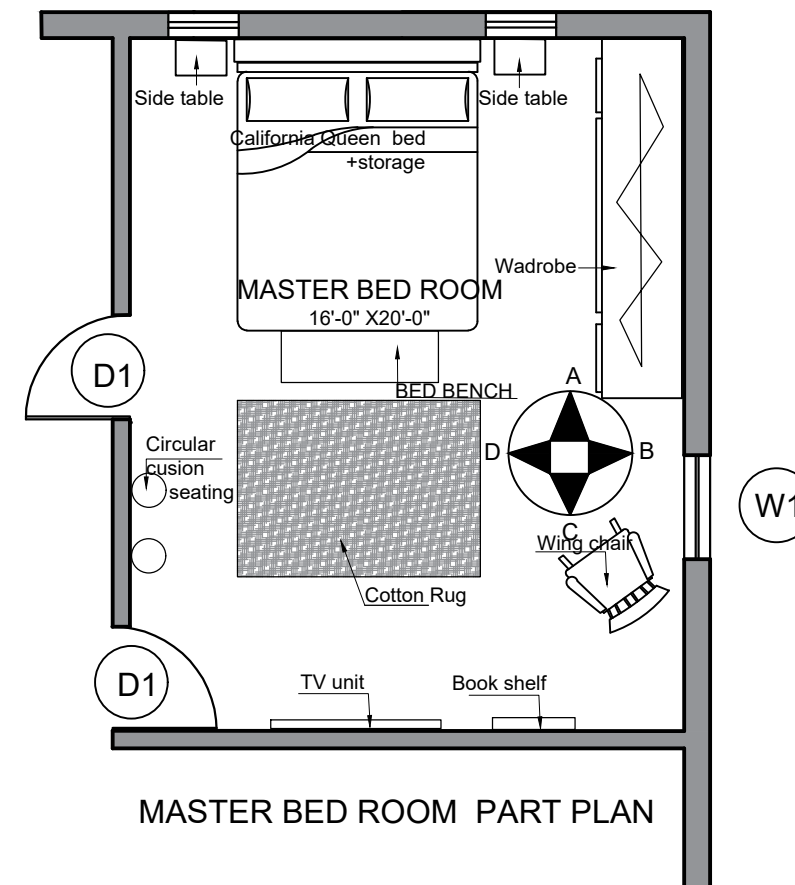
MASTER BED ROOM ELECTRICAL LAYOUT



MASTER BED ROOM FALSE CEILING



MASTER BED ROOM FLOORING LAYOUT



MASTER BED ROOM PART PLAN

# BEDROOM- DETAIL DRAWING

REMARKS