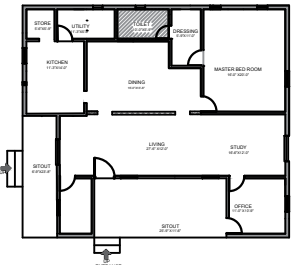


LEGENDS

TILE DROP

VETRIFIED TILE (1'-0"X1'-0")



Floor Area : 1874 Sq.Ft

Proposed design at place
NAMAKKAL

Client :

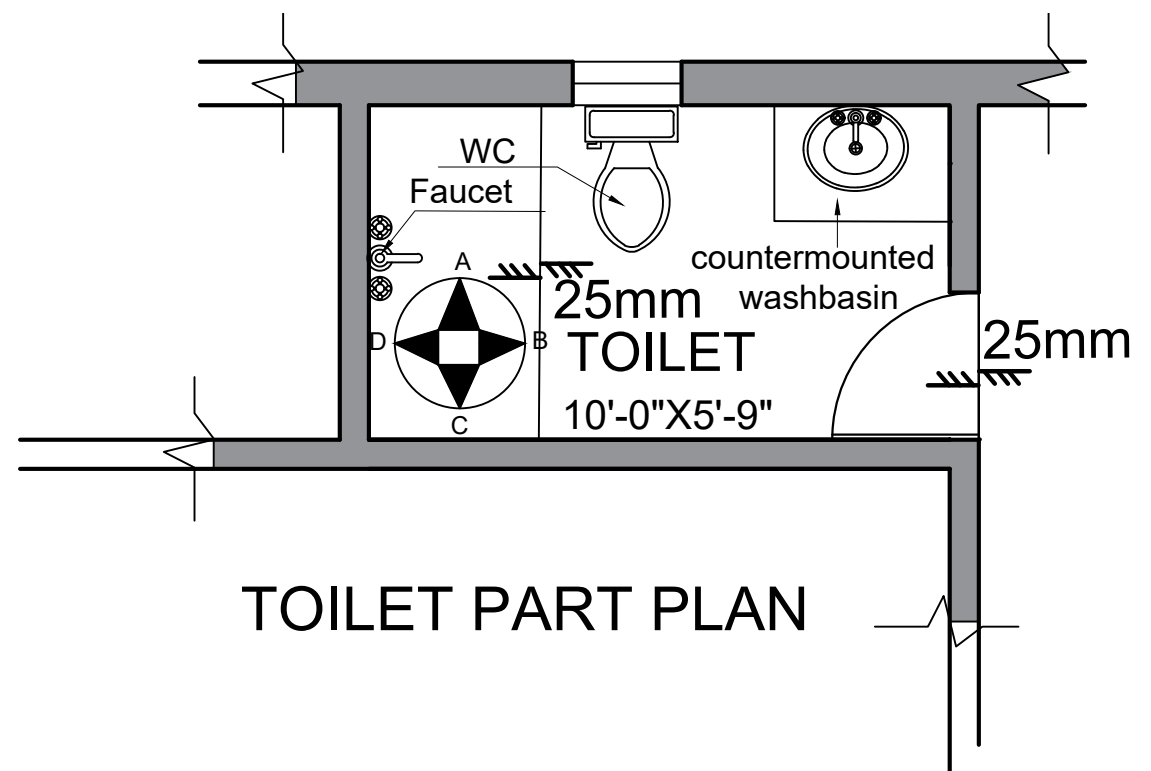
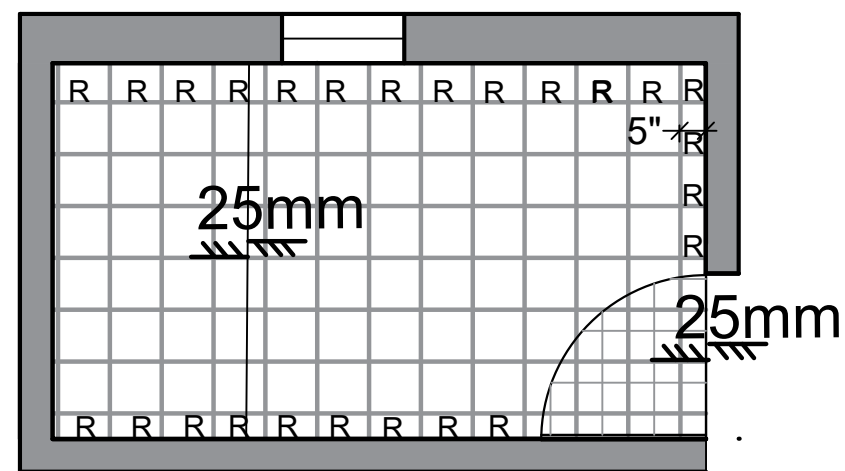
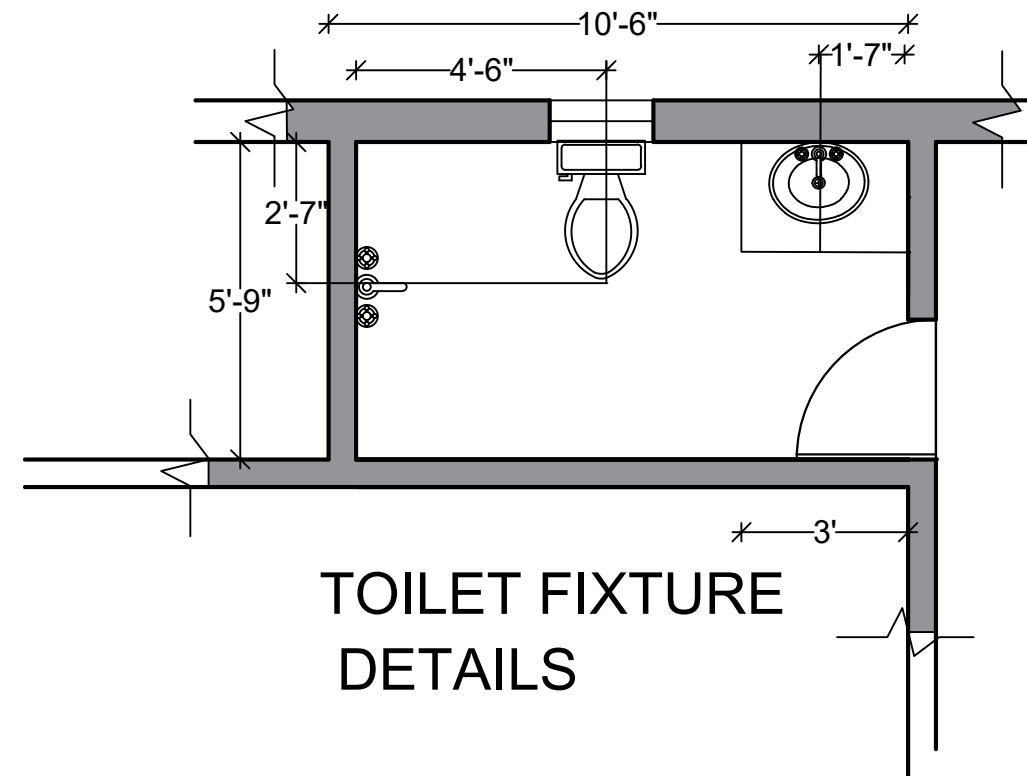
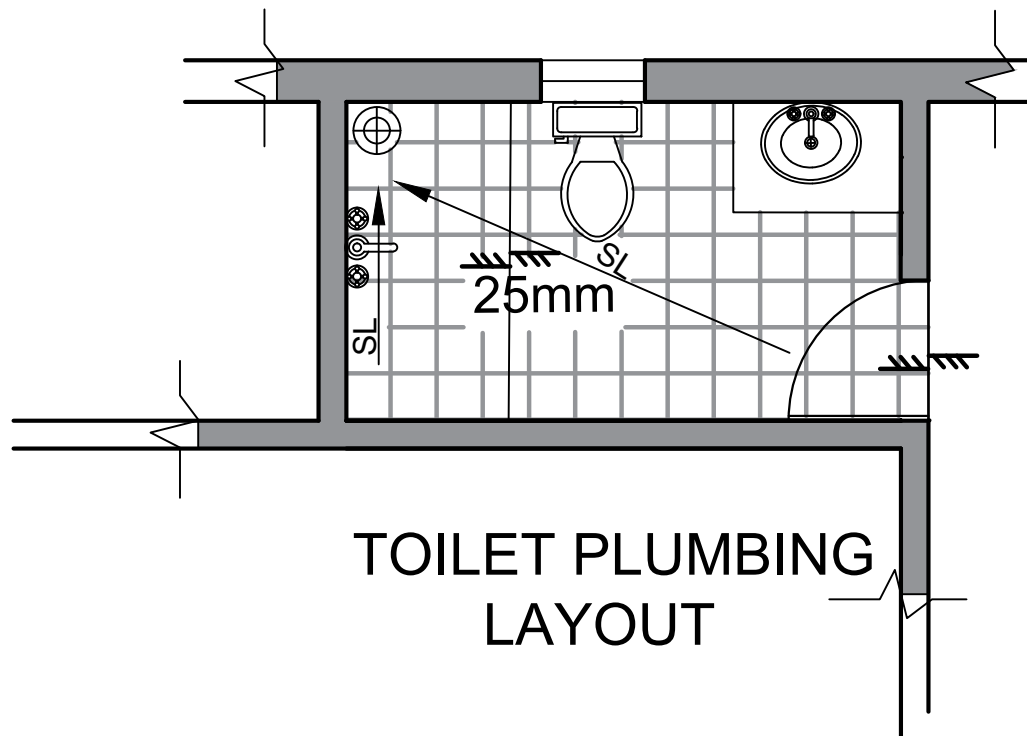
Name :SAMPREETHI.S

Registration No. :18PG01012

Year :2019

Module Name :RESIDENCE

ALL DIMENSIONS IN FEET AND
INCHES



TOILET - DETAIL DRAWING

REMARKS

SCALE

9