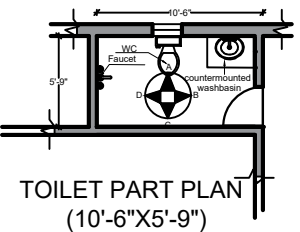
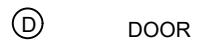
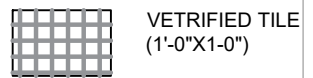


LEGENDS



Floor Area : 1874 Sq.Ft

Proposed design at place
NAMAKKAL

Client :

Name :SAMPREETHI.S

Registration No. :18PG01012

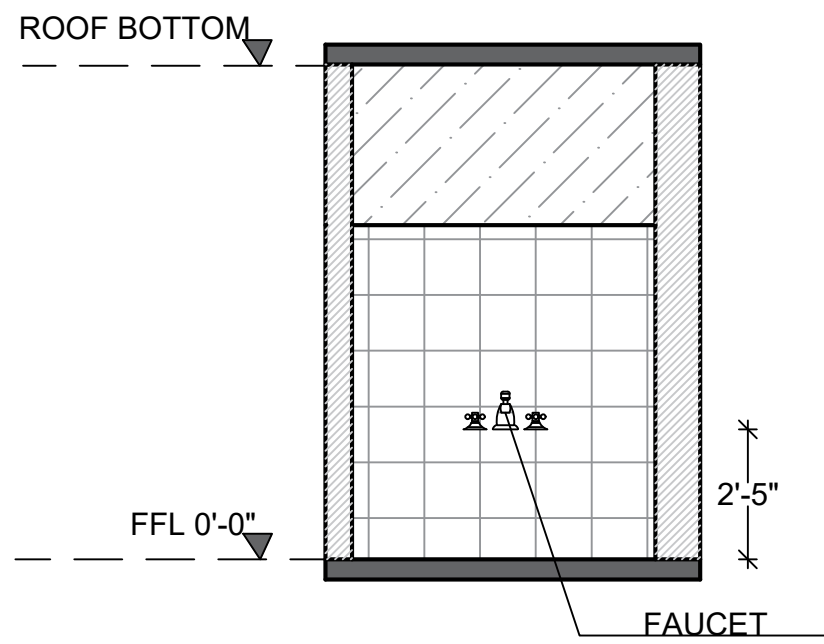
Year :2019

Module Name :RESIDENCE

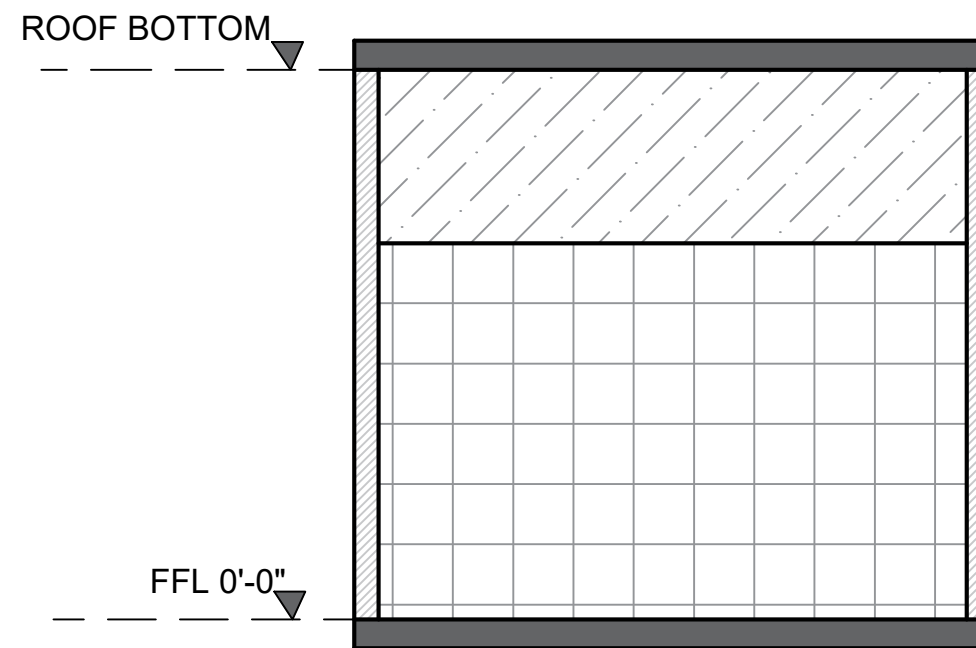
ALL DIMENSIONS IN FEET AND
INCHES

SCALE

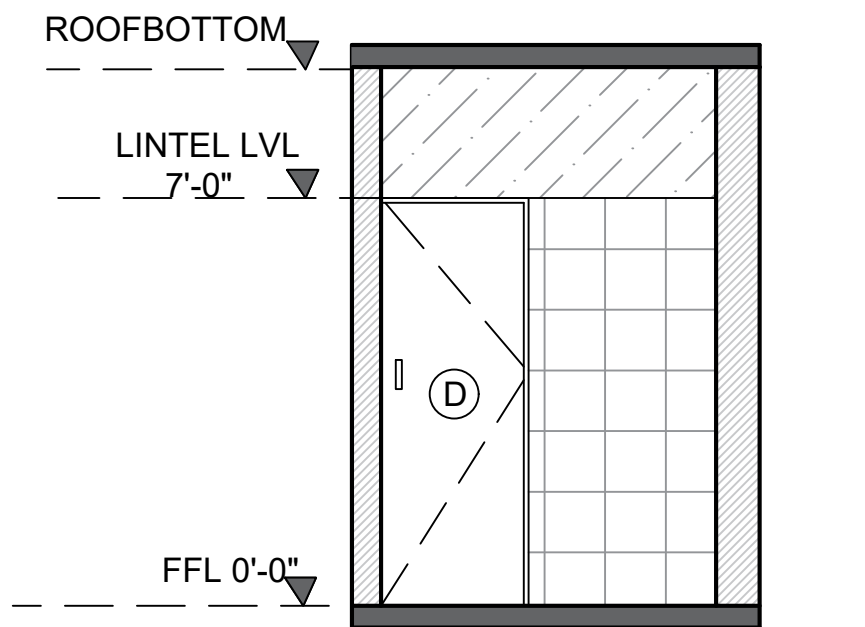
9A



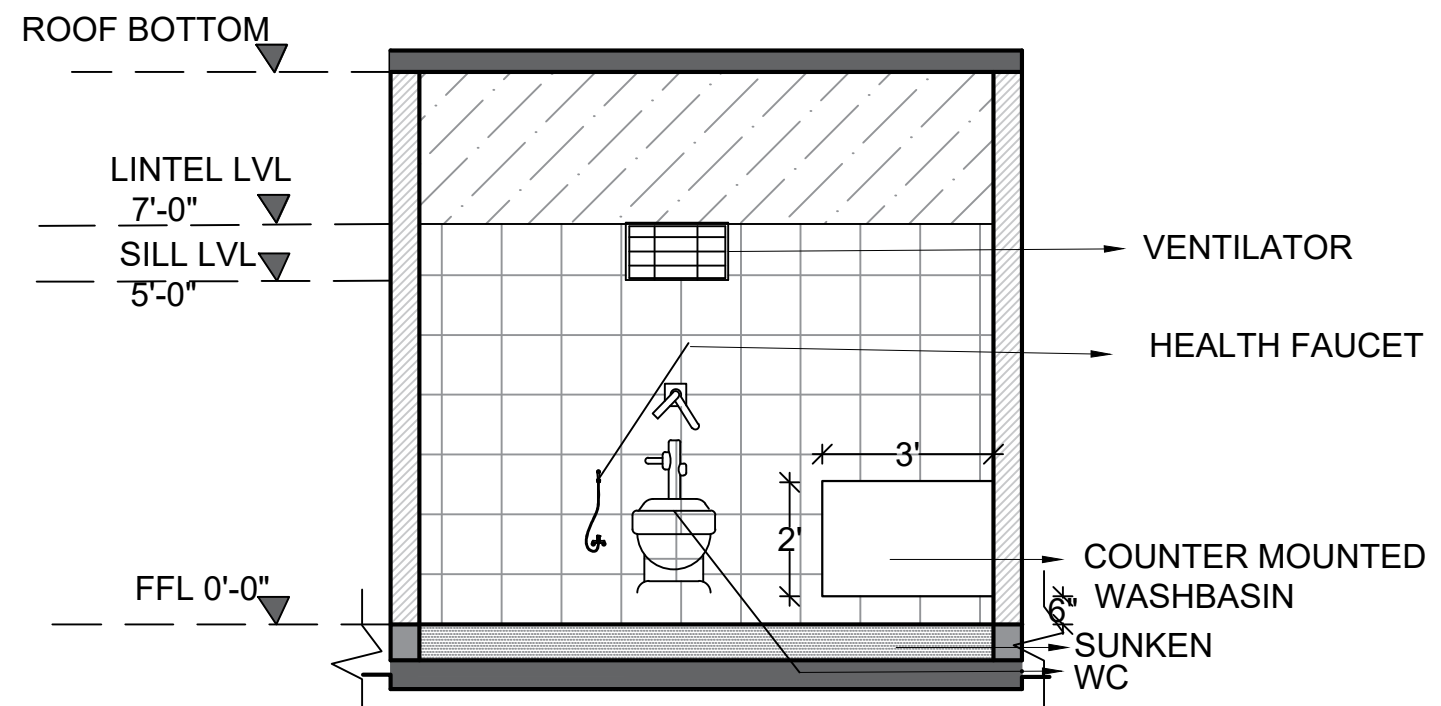
WALL ELEVATION D



WALL ELEVATION C



WALL ELEVATION B



WALL ELEVATION A

TOILET - INTERNAL WALL ELEVATION

REMARKS